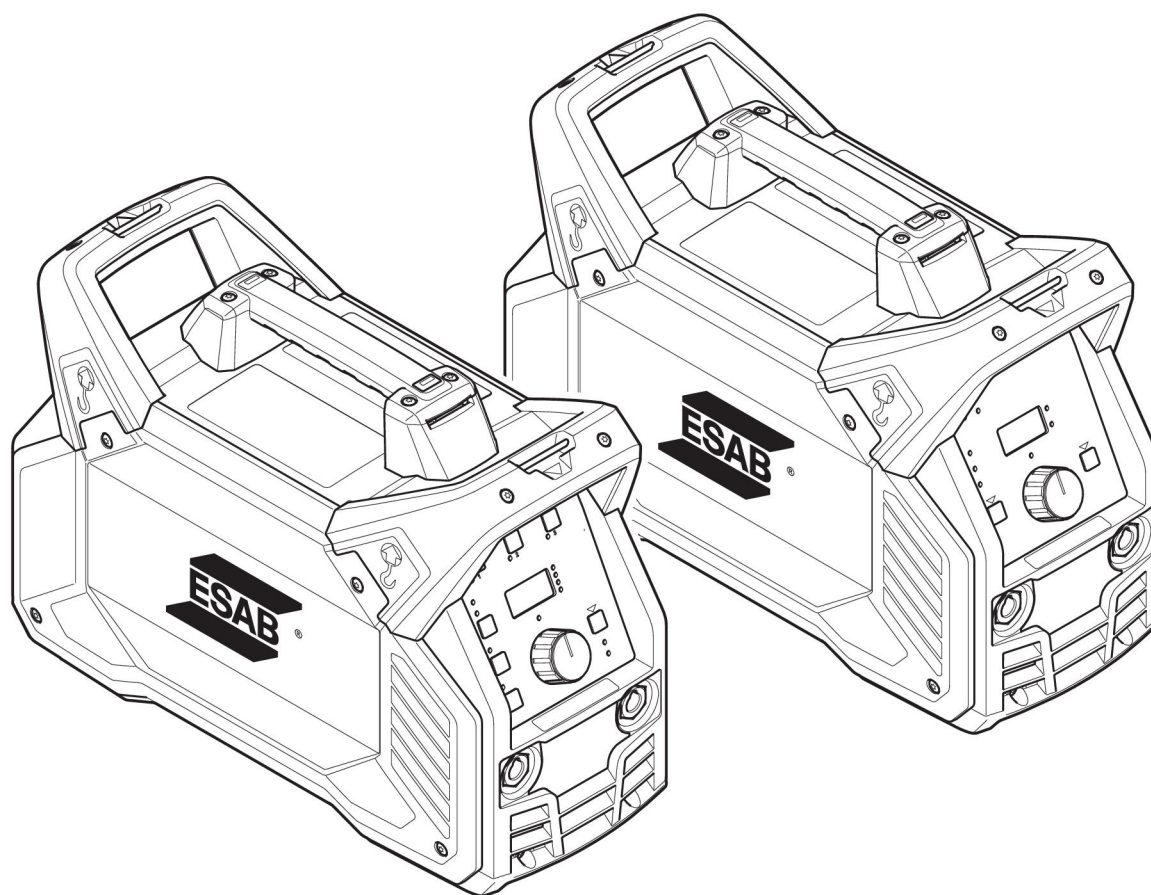


ES 300i



Spare parts list

Ordering no.	Product	Notes	Serial no
0445 100 880	ES 300i	Europe, CE	627-xxx-xxxx
0445 100 881	ES 300i	North America, CSA	643-xxx-xxxx
0445 100 882	ES 300i	South America	643-xxx-xxxx
0445 100 883	ES 300i	Australia, CE	627-xxx-xxxx

Spare parts may be ordered through your nearest ESAB dealer, see the back cover of this document. When ordering, please state product type, serial number, denominations and ordering numbers according to the spare parts list. This facilitates dispatch and ensures correct delivery.

Maintenance and repair work should be performed by an experienced person, and electrical work only by a trained electrician. Use only recommended spare parts.

SPARE PARTS	4
Housing module	4
Primary module	6
Secondary module	8
Transformer module	10
Output inductor module	11
Setting panel module - EU & AU	12
Setting panel module - NA & SA	13
PS control module	14
WP module MMA	15
Input module - EU & AU	16
Input module - NA & SA	17

SPARE PARTS

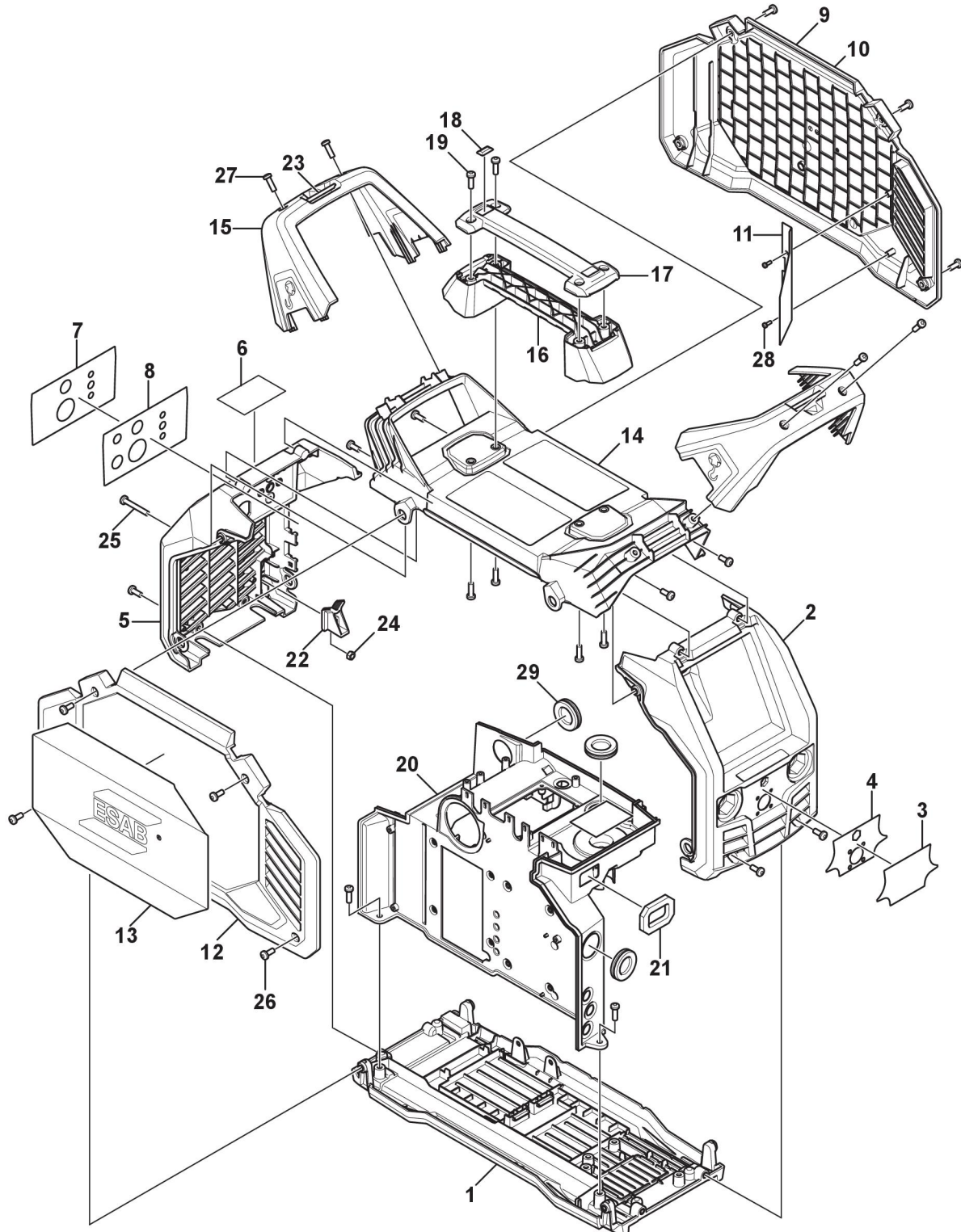
Housing module**C = Component designation in the circuit diagram**

Item	Qty	Ordering no.	Denomination	Notes	C
1	1	0465 953 001	Bottom panel		
2	1		Front panel	See item 50 and 51	
3	1		Front decal MMA	See item 50 and 51	
4	1		Front decal TIG	See item 50 and 51	
5	1		Rear panel	See item 52 and 53	
6	1		PS0 Lifting instructions	See item 52 and 53	
7	1		Rear decal MMA	See item 52 and 53	
8	1		Rear decal TIG	See item 52 and 53	
9	1		Side panel right	See item 54	
10	1		Side panel overlay	See item 54	
11	1		IP Shield	See item 54	
12	1		Side panel left	See item 55	
13	1		Side panel overlay	See item 55	
14	1	0465 951 001	Top panel		
15	2	0465 952 001	Handle cover		
16	1	0464 536 001	Handle top, base		
17	1		Handle top, cover	See item 56	
18	2		ESAB label	See item 56	
19	4		Screw	See item 56	
20	1	0465 964 001	Intermediate wall		
21	1	0445 120 001	Cable passage gasket		
22	1	0464 538 001	Stopping block		
23	2	0445 129 001	Pin		
24	1		Nut	M5 6K Steel 8.8	
25	1		Screw	MRT M5×35 black	
26	16		Screw	MRT M5×12 black	
27	14		Screw	Remform 5×16 black	
28	2		Screw	Remform Torx 3×8	
29	1	0194 069 002	Rubber inlet	28 mm	

Item	Qty	Ordering no.	Denomination	Notes	C
50	1	0464 567 880	Front panel MMA	Including front panel with decal	
51	1	0464 567 881	Front panel TIG		
52	1	0464 568 880	Rear panel MMA	Including rear panel with decals	
53	1	0464 568 881	Rear panel TIG		

Item	Qty	Ordering no.	Denomination	Notes	C
54	1	0464 566 880	Side panel right	Including side panel with decal	
55	1	0464 566 881	Side panel left		
56	1	0464 565 880	Top handle kit	Including cover with decals	

Housing module

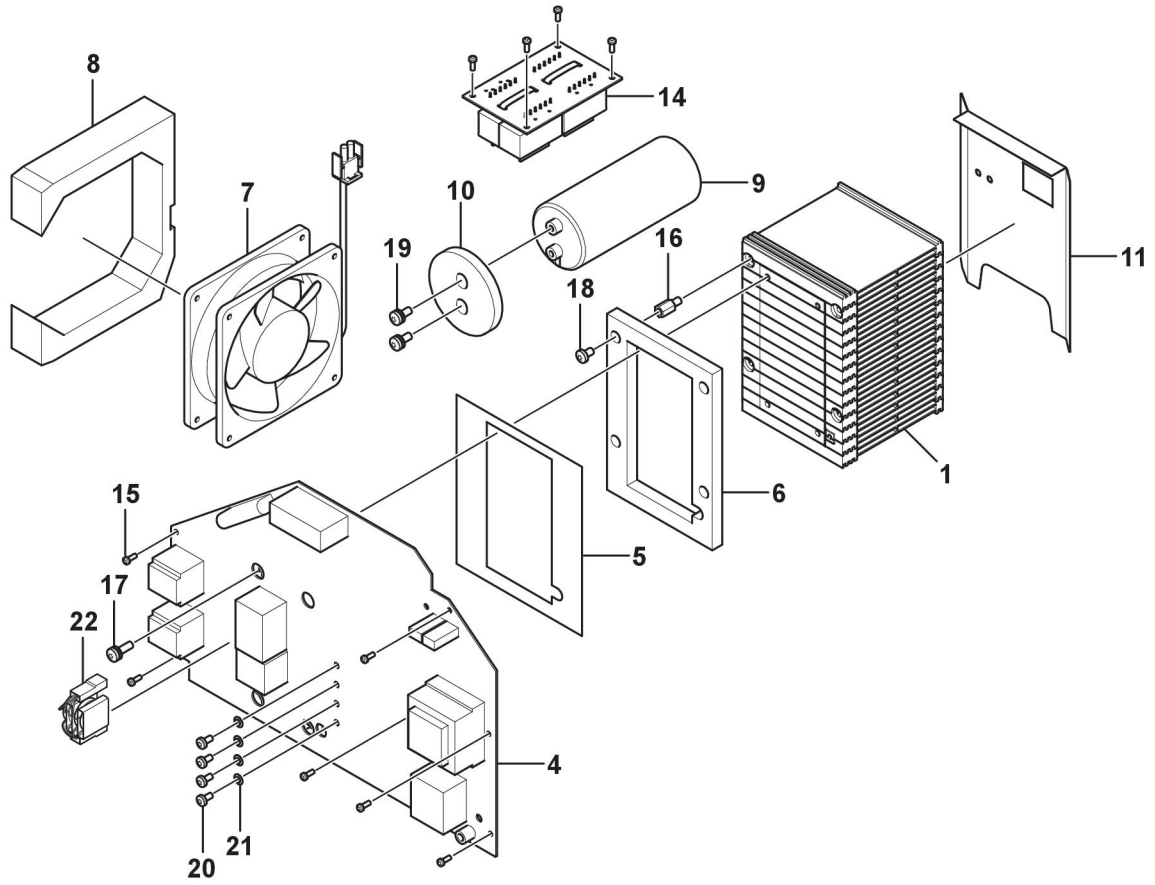


Primary module

C = Component designation in the circuit diagram

Item	Qty	Ordering no.	Denomination	Notes	C
1	1		Primary heat sink		
4	1		PCBA power board	See item 60	15AP1
6	1	0445 050 001	Module seal		
7	1	0445 079 880	PS0 fan complete		15EV1
8	1	0445 049 001	Fan foam		
9	1	0462 178 002	Capacitor		15C1
10	1	0445 051 001	Capacitor foam		
11	1		Air baffle	See item 61	
14	1	0445 092 880	PFC Inductor board assembly		
15	10		Screw	Reform Torx 3×8	
16	4		Spacing screw	M5×12	
17	4		Screw MRT combi	M5×16 Torx	
18	6		Screw	MRT M5×8 black	
19	2		Screw MRT combi	M5×12 Torx	
20	4		Screw	MRT M4×8 black	
21	4		Cup spring A-8-1	8/4.2/0.4	
22	1	0445 192 880	Varistor harness		

Item	Qty	Ordering no.	Denomination	Notes	C
60	1	0464 563 880	Power board kit	Incl. PCBA, nomex sheet, thermal compound and screws.	
61	1	0464 564 880	Air baffle kit	Incl decals	

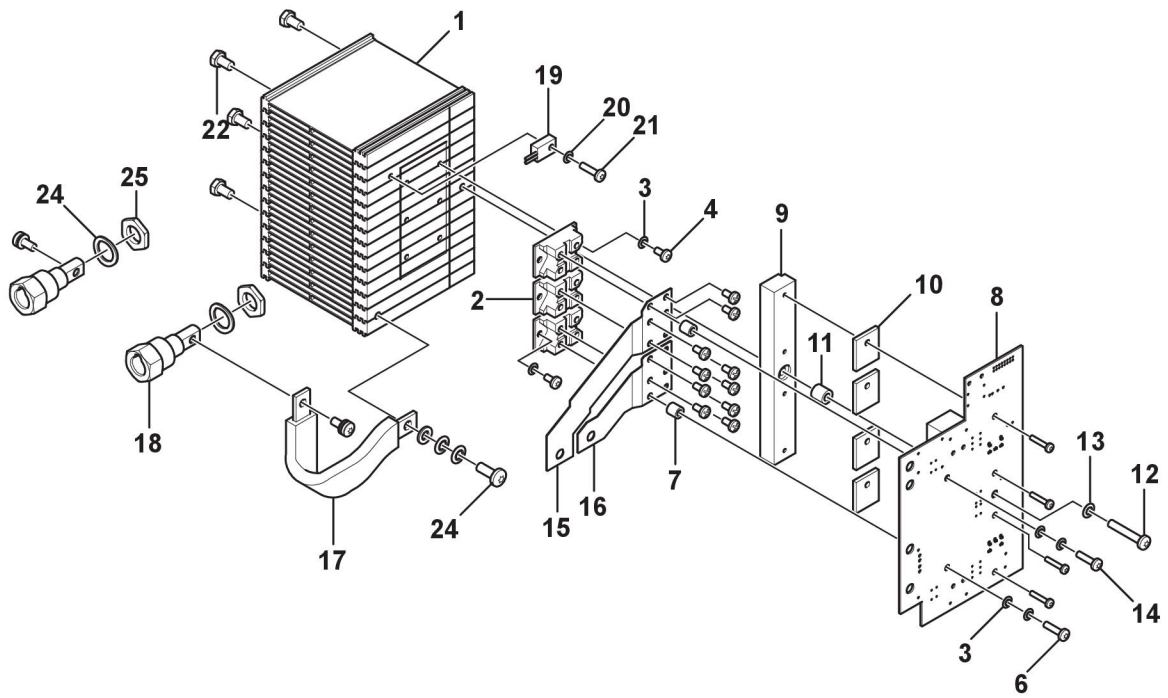


Secondary module

C = Component designation in the circuit diagram

Item	Qty	Ordering no.	Denomination	Notes	C
1	1		Secondary heat sink		
2	3		Diode	See item 70	15PM2– 15PM4
3	10		Cup spring A-8-1	8/4.2/0.4	
4	6		Screw MRT	M4×8 black	
6	2		Screw MRT	M4×16 black	
7	2		Spacer	8 mm×4.3 mm	
8	1		PCBA Booster board	See item 71	27AP1
9	1		Heat sink bar	See item 71	
10	4		Ceramic plate	See item 71	
11	1		Spacer	10 mm×5.3 mm	
12	1		Screw MRT	M5×30	
13	1		Cup spring A-10-1	10/5.2/0.5	
14	4		Screw MRT	M3×16 black	
15	1	0445 066 001	Copper bar upper diode		
16	1	0445 067 001	Copper bar lower diode		
17	1	0445 165 001	Flex copper bar lower		
18	2	0160 362 025	OKC		
19	1		Thermo switch harness	See item 72	27SW1
20	1		Screw MRT	M4×16	
21	1		Cup spring A-8-1	8/4.2/0.4	
22	4		Nylon screw M6×10		
23	2		Screw MRT combi	M5×12 Torx	
24	1		Screw MRT combi	M6×16	
25	2	0366 247 001	Nut OKC25 21×3 M14		
26	2		Spring washer		

Item	Qty	Ordering no.	Denomination	Notes	C
70	1	0464 570 880	Diode kit	Incl. diodes, thermal compound, screws, cup springs, spacers and thermal compound	
71	1	0464 569 880	Booster board kit	Incl. PCBA, heat sink bar, ceramic plates, screws, cup springs, spacers and thermal compound	
72	1	0464 571 880	Thermo switch kit	Incl. thermo switch, screw, cup spring and thermal compound	

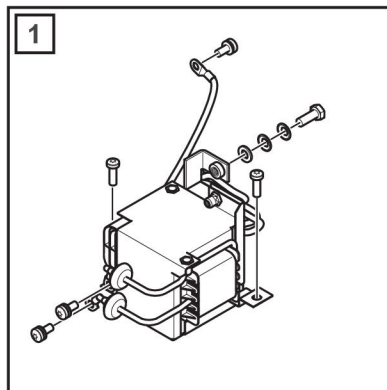


Transformer module

C = Component designation in the circuit diagram

Item	Qty	Ordering no.	Denomination	Notes	C
1	1		Transformer module		
	1		Transformer		16T1
	1		Transformer bracket		
	1		Transformer clamp		
	3		Screw MRT combi	M6×16	
	3		Screw MRT combi torx (Combi)	M5×12	
	4		Cup A-10-1	10/5.2×0.5	
	2		Screw Remform	5×16 black	
	1		Spacer	10 mm×5.3 mm	
	1		Screw MRT	M5×8	
	1		Screw MRT	M5×16	

Item	Qty	Ordering no.	Denomination	Notes	C
101	1	0464 585 880	Transformer kit CE		
102	1	0464 585 881	Transformer kit CSA		

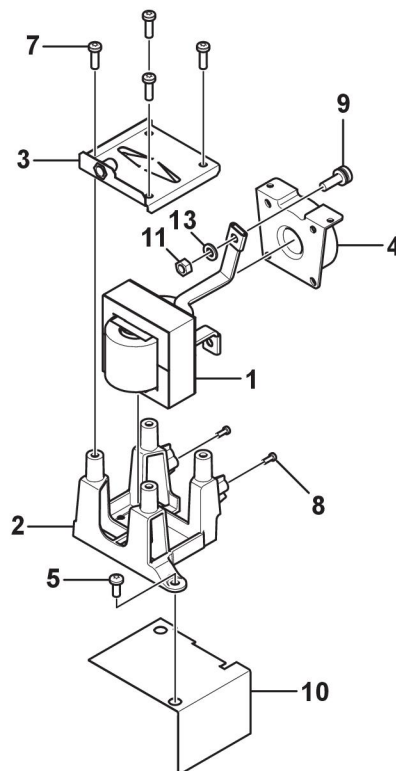


Output inductor module

C = Component designation in the circuit diagram

Item	Qty	Ordering no.	Denomination	Notes	C
	1		Output inductor module		
1	1		Inductor		19L1
2	1		Inductor holder		
3	1		Inductor clamp		
4	1	0458 063 006	Current sensor 300A		19CS1
5	2		Screw MRT M5×12 black		
6	1		Nylon Screw M6×10		
7	4		Screw Remform 5×16 black		
8	2		Screw Remform torx 3×8		
9	1		Screw M6×20		
10	1		Transformer IP protection		
11	1		Hexagon nut with flange	M6	
12	1		Booster PCB cable		
13	2		Plain washer 3-200 HV-A2K		

Item	Qty	Ordering no.	Denomination	Notes	C
91	1	0464 586 880	Inductor kit		

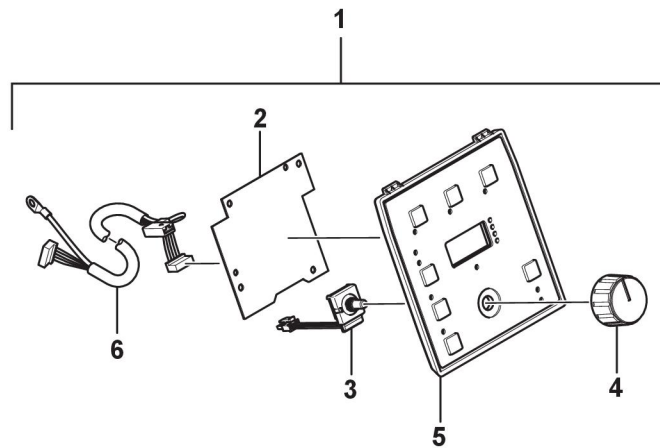


Setting panel module - EU & AU

C = Component designation in the circuit diagram

Item	Qty	Ordering no.	Denomination	Notes	C
1	1	0445 060 881	Setting panel complete	The product needs to be configured after replacement, see the service manual.	
2	1		PCBA UI board	Incl. in 81	1AP1
3	1		Encoder complete	Incl. in 82	
4	1	0321 475 893	Knob D36-1/4IN AristoFeed		
5	1	0440 179 881	Membrane panel compl. A35		
6	1	0445 132 880	Setting panel cable		

Item	Qty	Ordering no.	Denomination	Notes	C
81	1	0464 579 880	PCBA UI board kit	The product needs to be configured after replacement, see the service manual.	
82	1	0464 580 880	Encoder kit		

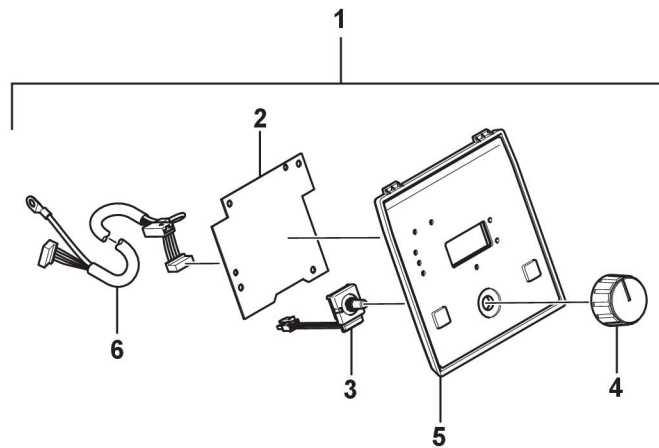


Setting panel module - NA & SA

C = Component designation in the circuit diagram

Item	Qty	Ordering no.	Denomination	Notes	C
1	1	0445 060 884	Setting panel complete	The product needs to be configured after replacement, see the service manual.	
2	1		PCBA UI board	Incl. in 81	1AP1
3	1		Encoder complete	Incl. in 82	
4	1	0321 475 893	Knob D36-1/4IN AristoFeed		
5	1	0445 547 880	Membrane panel compl. A35		
6	1	0445 172 880	Setting panel cable		

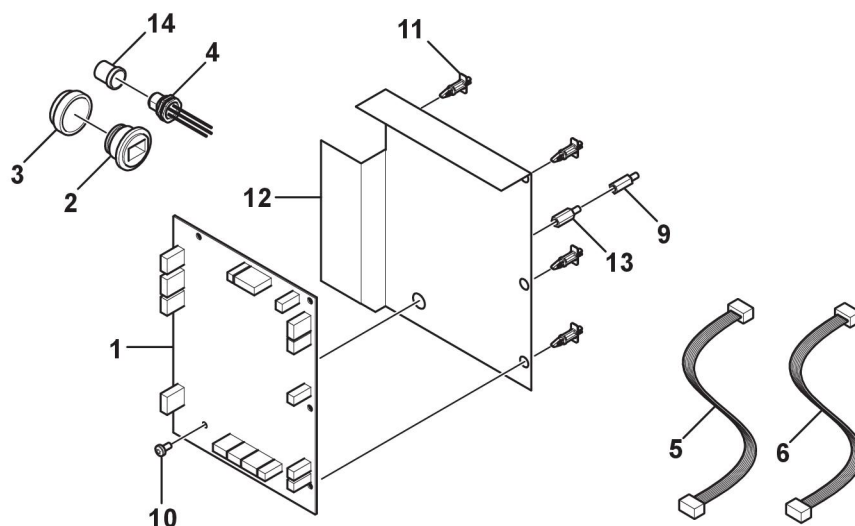
Item	Qty	Ordering no.	Denomination	Notes	C
81	1	0464 579 880	PCBA UI board kit	The product needs to be configured after replacement, see the service manual.	
82	1	0464 580 880	Encoder kit		



PS control module

C = Component designation in the circuit diagram

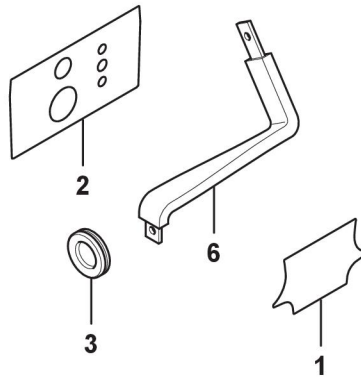
Item	Qty	Ordering no.	Denomination	Notes	C
1	1	0440 146 880	PCBA Control board	The product needs to be configured after replacement, see the service manual.	20AP1
2	1	0445 329 880	USB connector assembly		20XS2
3	1	0445 331 001	USB cover		
4	1	0445 157 880	Remote connector assembly		20XS1
5	1	0465 329 880	Ribbon cable 20 pol		
6	1	0465 349 880	Ribbon cable 12 pol		
7	1		Control cable harness		
8	1		Gate drive harness		
9	1		Spacing screw	M4×15	
10	1		Screw MRT	M4×8 black	
11	4		Spacer	12.7 mm	
12	1	0445 137 001	Nomex for control PCB		
13	1		Spacing screw	M4×18	
14	1	0445 195 001	Cap	12.7 mm	



WP module MMA

C = Component designation in the circuit diagram

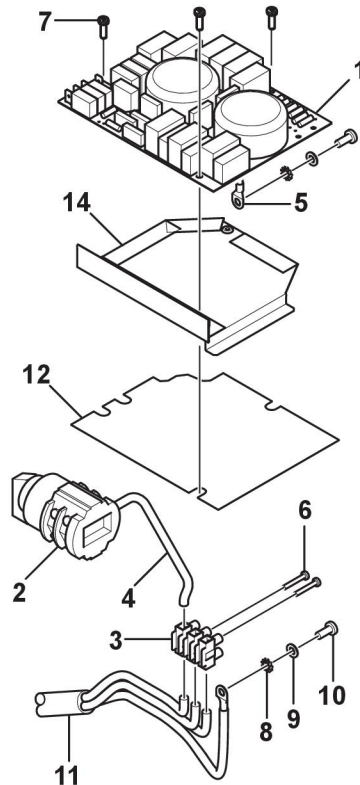
Item	Qty	Ordering no.	Denomination	Notes	C
1	1		Front decal MMA	Incl in 50	
2	1		Rear decal MMA	Incl in 52	
3	1	0194 069 002	Rubber inlet	28 mm	
6	1	0445 159 001	Flex copper bar upper		



Input module - EU & AU

C = Component designation in the circuit diagram

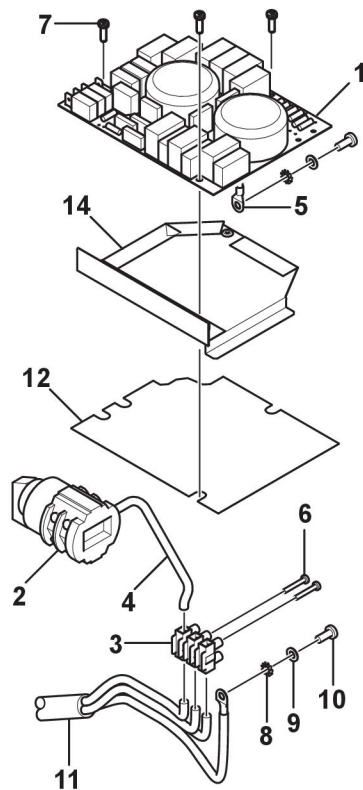
Item	Qty	Ordering no.	Denomination	Notes	C
1	1	0440 174 880	PCBA EMC filter B		2AP1
2	1	0465 965 001	Main switch		2SW1
3	1		Terminal 3-POL 60		2XS1
4	1		Main switch cable		
5	1		Grounding cable		
6	2		Screw MRT	M3×16	
7	4		Screw Remform TOR	3×8	
8	2		Screw MRT DIN7985	M5×12	
9	2		Washer	D10/5.3	
10	2		Washer	PN-EN ISO	
11	1		Main supply cable		
12	1	0445 188 001	Nomex sheet		
13	1		Cable binders	TK/PCV 14/	



Input module - NA & SA

C = Component designation in the circuit diagram

Item	Qty	Ordering no.	Denomination	Notes	C
1	1	0440 174 880	PCBA EMC filter B		2AP1
2	1	0465 965 001	Main switch		2SW1
3	1		Terminal 3-POL 60		2XS1
4	1		Main switch cable		
5	1		Grounding cable		
6	2		Screw MRT	M3×16	
7	4		Screw Remform TOR	3×8	
8	2		Screw MRT DIN7985	M5×12	
9	2		Washer	D10/5.3	
10	2		Washer	PN-EN ISO	
12	1	0445 188 001	Nomex sheet		
13	1		Cable binders	TK/PCV 14/	



ESAB subsidiaries and representative offices

Europe

AUSTRIA

ESAB Ges.m.b.H
Vienna-Liesing
Tel: +43 1 888 25 11
Fax: +43 1 888 25 11 85

BELGIUM

S.A. ESAB N.V.
Heist-op-den-Berg
Tel: +32 15 25 79 30
Fax: +32 15 25 79 44

BULGARIA

ESAB Kft Representative Office
Sofia
Tel: +359 2 974 42 88
Fax: +359 2 974 42 88

THE CZECH REPUBLIC

ESAB VAMBERK s.r.o.
Vamberk
Tel: +420 2 819 40 885
Fax: +420 2 819 40 120

DENMARK

Aktieselskabet ESAB
Herlev
Tel: +45 36 30 01 11
Fax: +45 36 30 40 03

FINLAND

ESAB Oy
Helsinki
Tel: +358 9 547 761
Fax: +358 9 547 77 71

GREAT BRITAIN

ESAB Group (UK) Ltd
Waltham Cross
Tel: +44 1992 76 85 15
Fax: +44 1992 71 58 03

ESAB Automation Ltd
Andover

Tel: +44 1264 33 22 33
Fax: +44 1264 33 20 74

FRANCE

ESAB France S.A.
Cergy Pontoise
Tel: +33 1 30 75 55 00
Fax: +33 1 30 75 55 24

GERMANY

ESAB Welding & Cutting GmbH
Langenfeld
Tel: +49 2173 3945-0
Fax: +49 2173 3945-218

HUNGARY

ESAB Kft
Budapest
Tel: +36 1 20 44 182
Fax: +36 1 20 44 186

ITALY

ESAB Saldatura S.p.A.
Bareggio (Mi)
Tel: +39 02 97 96 8.1
Fax: +39 02 97 96 87 01

THE NETHERLANDS

ESAB Nederland B.V.
Amersfoort
Tel: +31 33 422 35 55
Fax: +31 33 422 35 44

NORWAY

AS ESAB
Larvik
Tel: +47 33 12 10 00
Fax: +47 33 11 52 03

POLAND

ESAB Sp.zo.o.
Katowice
Tel: +48 32 351 11 00
Fax: +48 32 351 11 20

PORTUGAL

ESAB Lda
Lisbon
Tel: +351 8 310 960
Fax: +351 1 859 1277

ROMANIA

ESAB Romania Trading SRL
Bucharest
Tel: +40 316 900 600
Fax: +40 316 900 601

RUSSIA

LLC ESAB
Moscow
Tel: +7 (495) 663 20 08
Fax: +7 (495) 663 20 09

SLOVAKIA

ESAB Slovakia s.r.o.
Bratislava
Tel: +421 7 44 88 24 26
Fax: +421 7 44 88 87 41

SPAIN

ESAB Ibérica S.A.
San Fernando de Henares
(MADRID)
Tel: +34 91 878 3600
Fax: +34 91 802 3461

SWEDEN

ESAB Sverige AB
Gothenburg
Tel: +46 31 50 95 00
Fax: +46 31 50 92 22

ESAB International AB

Gothenburg
Tel: +46 31 50 90 00
Fax: +46 31 50 93 60

SWITZERLAND

ESAB Europe GmbH
Baar
Tel: +41 1 741 25 25
Fax: +41 1 740 30 55

UKRAINE

ESAB Ukraine LLC
Kiev
Tel: +38 (044) 501 23 24
Fax: +38 (044) 575 21 88

North and South America

ARGENTINA

CONARCO
Buenos Aires
Tel: +54 11 4 753 4039
Fax: +54 11 4 753 6313

BRAZIL

ESAB S.A.
Contagem-MG
Tel: +55 31 2191 4333
Fax: +55 31 2191 4440

CANADA

ESAB Group Canada Inc.
Mississauga, Ontario
Tel: +1 905 670 0220
Fax: +1 905 670 4879

MEXICO

ESAB Mexico S.A.
Monterrey
Tel: +52 8 350 5959
Fax: +52 8 350 7554

USA

ESAB Welding & Cutting
Products
Florence, SC
Tel: +1 843 669 4411
Fax: +1 843 664 5748

Asia/Pacific

AUSTRALIA

ESAB South Pacific
Archerfield BC QLD 4108
Tel: +61 1300 372 228
Fax: +61 7 3711 2328

CHINA

Shanghai ESAB A/P
Shanghai
Tel: +86 21 2326 3000
Fax: +86 21 6566 6622

INDIA

ESAB India Ltd
Calcutta
Tel: +91 33 478 45 17
Fax: +91 33 468 18 80

INDONESIA

P.T. ESABindo Pratama
Jakarta
Tel: +62 21 460 0188
Fax: +62 21 461 2929

JAPAN

ESAB Japan
Tokyo
Tel: +81 45 670 7073
Fax: +81 45 670 7001

MALAYSIA

ESAB (Malaysia) Snd Bhd
USJ
Tel: +603 8023 7835
Fax: +603 8023 0225

SINGAPORE

ESAB Asia/Pacific Pte Ltd
Singapore
Tel: +65 6861 43 22
Fax: +65 6861 31 95

SOUTH KOREA

ESAB SeAH Corporation
Kyungnam
Tel: +82 55 269 8170
Fax: +82 55 289 8864

UNITED ARAB EMIRATES

ESAB Middle East FZE
Dubai
Tel: +971 4 887 21 11
Fax: +971 4 887 22 63

Africa

EGYPT

ESAB Egypt
Dokki-Cairo
Tel: +20 2 390 96 69
Fax: +20 2 393 32 13

SOUTH AFRICA

ESAB Africa Welding & Cutting
Ltd
Durbanville 7570 - Cape Town
Tel: +27 (0)21 975 8924

Distributors

For addresses and phone numbers to our distributors in other countries, please visit our home page

www.esab.com



www.esab.com

